

X-123 SPECTROMETER

CUTTING-EDGE X-RAY SPECTROSCOPY IN THE PALM OF YOUR HAND

Looking for a Complete X-Ray Spectroscopy Solution That Fits in the Palm of Your Hand?

The X-123 Spectrometer is a fully integrated X-ray detector system that combines AMPTEK's cutting-edge technology into a single compact unit. Designed for X-ray spectroscopy and material analysis, it eliminates the need for bulky, power-hungry instruments by providing a small, low-power, high-performance solution that fits in the palm of your hand.

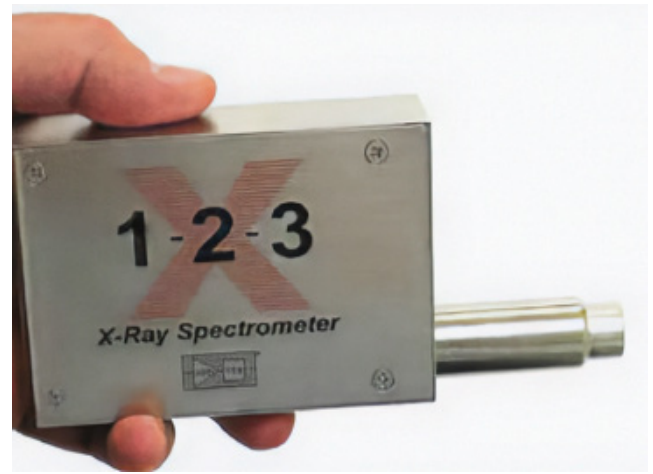
From X-ray fluorescence (XRF) applications to process control and RoHS/WEEE compliance, the X-123 delivers unmatched spectral performance while ensuring seamless integration into any setup. Simply connect it to your PC via USB or RS-232, and you're ready to capture high-quality X-ray spectra in seconds.

Why Choose the X-123 Spectrometer?

- **Complete XRF System** – No additional components required—just plug-in and analyze.
- **Compact & Lightweight** – Smallest form factor in the industry, measuring only 2.7" x 3.9" x 1" (7 x 10 x 2.5 cm).
- **Low Power Consumption** – Runs on just 2.5 W, making it ideal for portable and OEM applications.
- **Seamless Connectivity** – USB, Ethernet, and RS-232 interfaces for easy data transfer.
- **Optimized for all of Amptek's detectors** – the broadest range available in the industry

Key Features

- **Flexible Detector Options** – Accommodates all AMPTEK detector types, including custom configurations.
 - FAST-SDD
 - 1mm thick FAST-SDD
 - SiPin
 - CdTe
- Best-in-class spectroscopy
- Convenient Digital Communications (USB, Ethernet, RS-232)
- Analog Inputs/Outputs for specialist needs
- Range of Extenders: 1.5"; 5"; 9" (4cm; 13cm; 23cm)
- Compact: 2.7 x 3.9 x 1 in (7 x 10 x 2.5 cm)
- Alternate configurations
- Vacuum compatible options available



Applications of X-123 Spectrometer

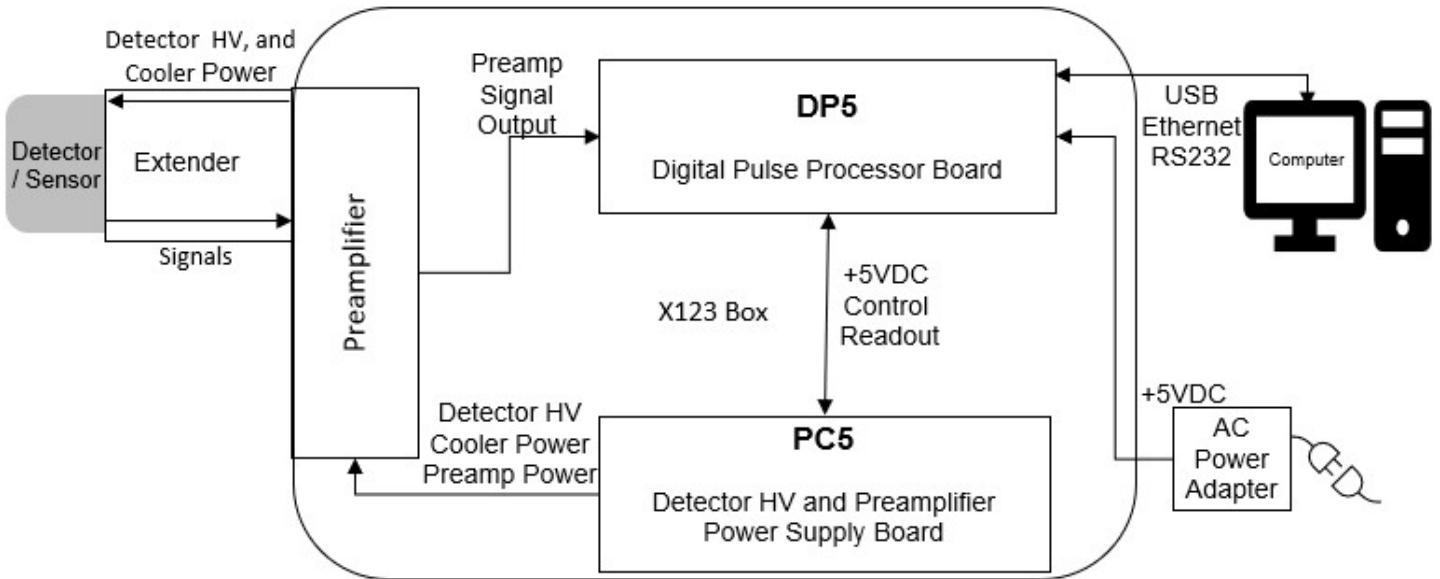
- **X-Ray Fluorescence (XRF) Analysis** – Identify and quantify materials with high precision.
- **Process Control & Quality Assurance** – Ensure compliance with industrial standards.
- **RoHS / WEEE Compliance** – Detect hazardous substances in electronic components.
- **Art & Archaeology Research** – Analyze historical artifacts with non-destructive testing.



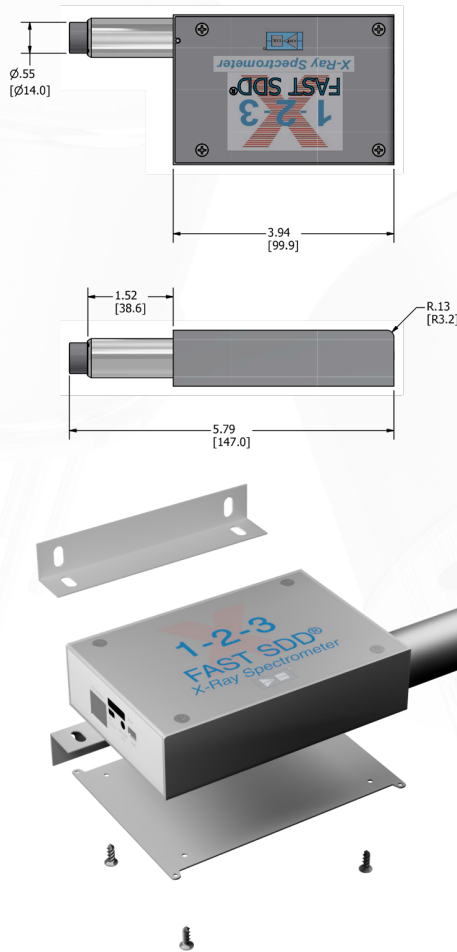
XRF Detection Redefined. Compact, Powerful & Effortless



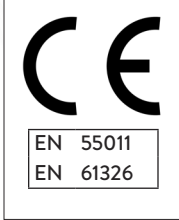
X-123 ARCHITECTURE AND CONNECTION DIAGRAM



X-123 MECHANICAL DIMENSIONS



Why Wait? Build Your Ideal XRF Solution Today!



AMPTEK INC.® 14 DeAngelo Drive, Bedford, MA 01730-2204 USA
 +1 781-275-2242 Amptek.sales@ametec.com www.amptek.com

