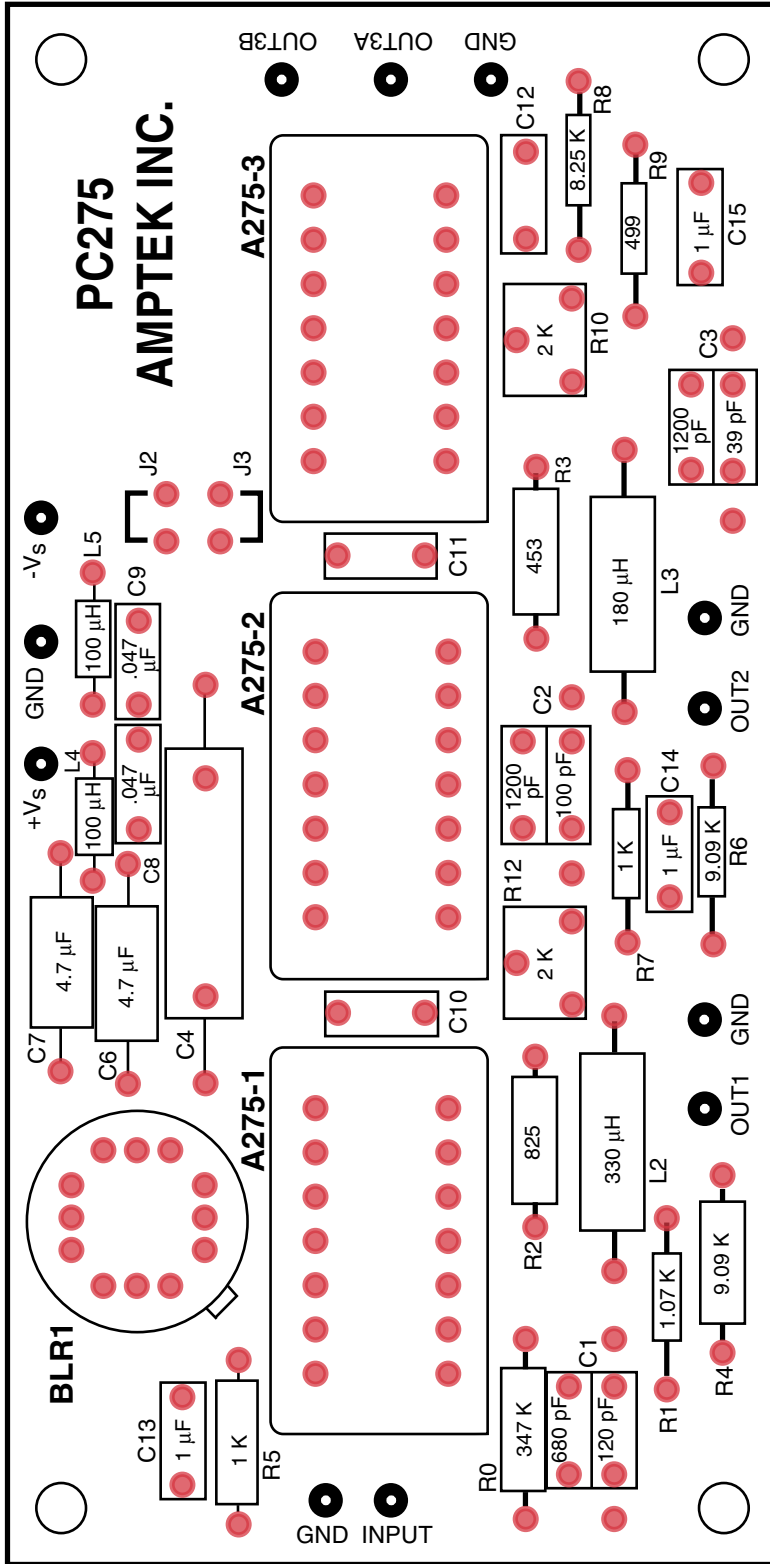


PC275 Test Board for the A275

The PC275 is a printed circuit board designed to facilitate testing of the A275.



Dimensions: 3.50 in x 1.75 in (88.9 cm x 44.45 cm)

Material: Teflon

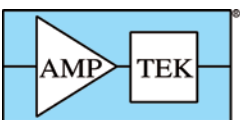
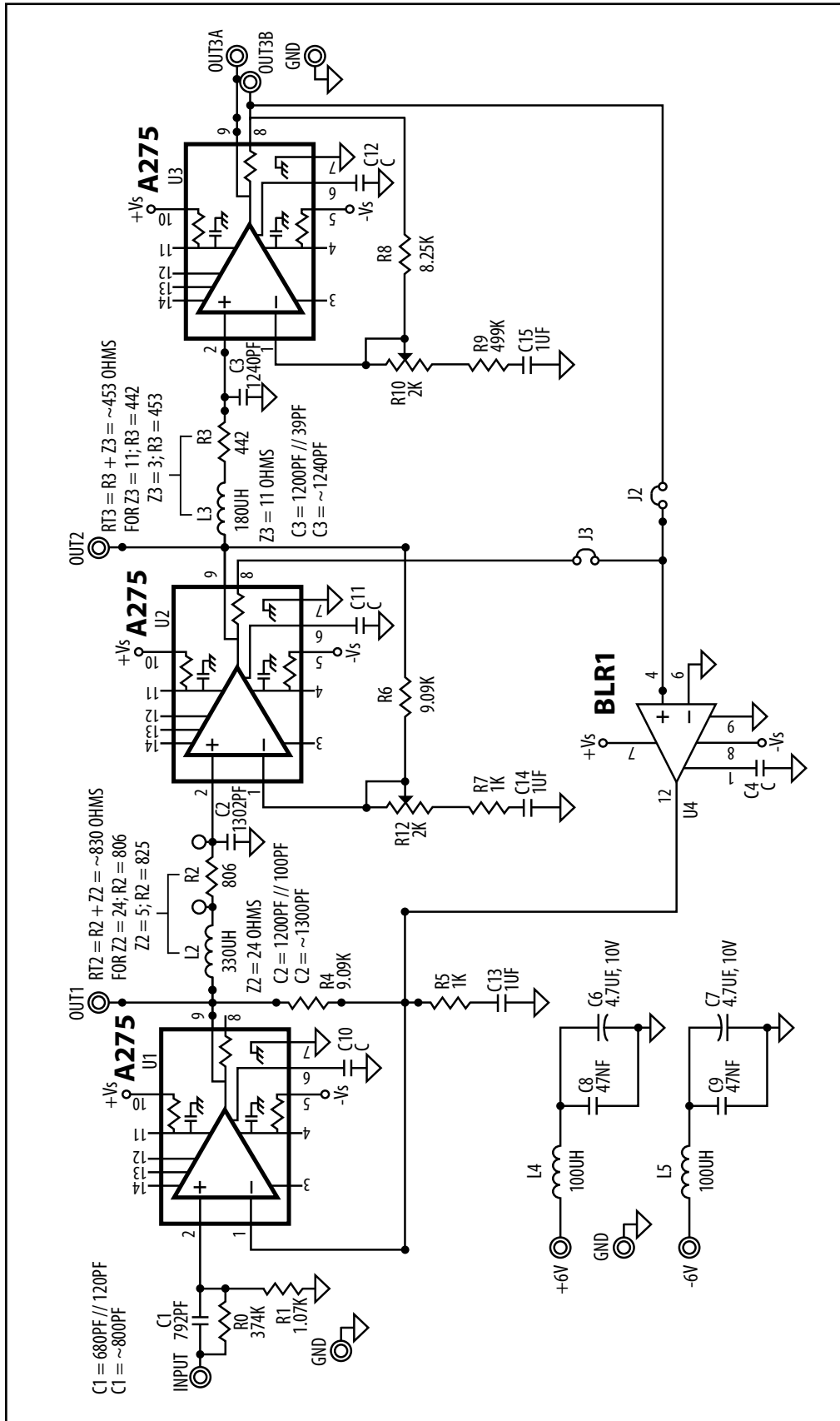
Circuit Layout Considerations

Due to the high bandwidth of the A275, care should be taken in circuit layout. In general, ground plane construction is recommended. Input and output lines should be well separated and in most cases shielding will be necessary. Grounding the physical case of the A275 (in addition to Pin 7) to the ground plane can be used to avoid oscillations or electronic pick-up.

Amptek Inc. 14 De Angelo Drive, Bedford, MA 01730-2204 USA

Tel: +1 781 275-2242 Fax: +1 781 275-3470 Email: sales@amptek.com http://www.amptek.com

PC275 Schematic



Amptek Inc. 14 De Angelo Drive, Bedford, MA 01730-2204 USA

Tel: +1 781 275-2242 Fax: +1 781 275-3470 Email: sales@amptek.com http://www.amptek.com