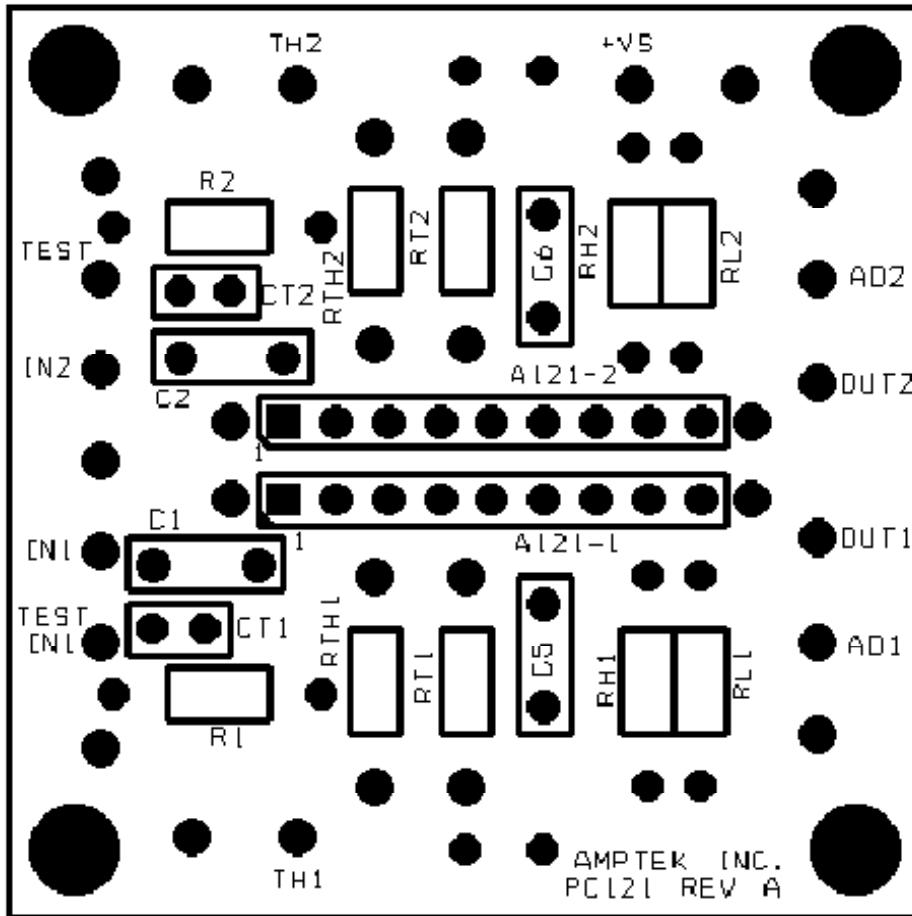


PC121 Test Board for the A121

The PC121 is a printed circuit board designed to facilitate testing of the A121. Ground plane construction minimizes external pick-up. Enclosing the PC121 inside a small metal box is recommended.



Dimensions: 1.75 x 1.75 x 1.0 in. (4.45 x 4.45 x 2.54 cm)

Material: FR4

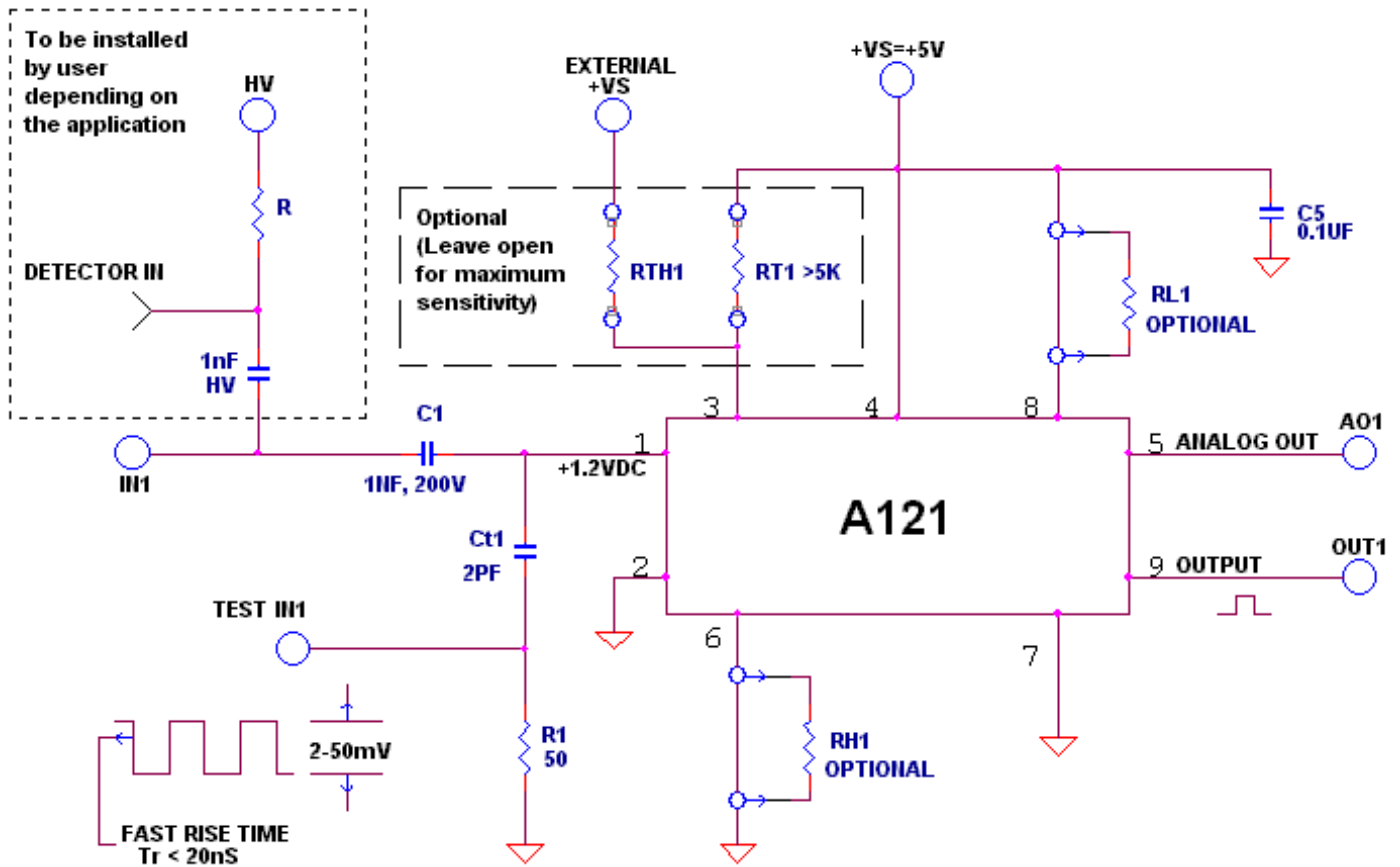
PC121 Operating Notes

1. The PC121 accommodates two A121s side by side.
2. The input (Pin 1) of the A121 is held at a DC level of 1.2 Volts. Capacitors C1 and C2 isolate the input of the A121 from accidental grounding. Both C1 and C2 are rated at 200 Volts. **THEY ARE NOT HIGH VOLTAGE COUPLING CAPACITORS.** If the detector signal is at high voltage, an external high voltage coupling capacitor of adequate voltage rating must be connected from the detector to C1 and/or C2. This high voltage capacitor is not supplied with the PC121 due to the large variations of detector types and applications. Since the A121 is used in similar applications to the A111, please refer to the A111 connection diagrams and applications for additional information.
3. Due to the high sensitivity at the input and the fast rise time signals that are generated at the output of the A121, care must be taken to the connections of the external wiring in order to avoid oscillations and noise pick-up. Enclosing the PC121 inside a small metal box is recommended.

Amptek Inc. 14 De Angelo Drive, Bedford, MA 01730-2204 USA

Tel: +1 781 275-2242 Fax: +1 781 275-3470 Email: sales@amptek.com <http://www.amptek.com>

PC121 Connection Diagram (One of two identical channels)



NOTE: PC-121 accommodates two (2) A121 Preamps

