

| | X | Y |
|-----|-------|-------|
| A1 | 0.500 | 0.500 |
| A2 | 0.500 | 7.500 |
| A3 | 9.500 | 0.500 |
| A4 | 9.500 | 7.500 |
| B1 | 5.161 | 0.802 |
| B2 | 6.496 | 0.907 |
| B3 | 8.301 | 1.049 |
| B4 | 2.221 | 3.317 |
| B5 | 4.761 | 4.369 |
| B6 | 5.630 | 4.729 |
| B7 | 1.455 | 5.164 |
| B8 | 1.111 | 5.996 |
| B9 | 3.996 | 6.217 |
| B10 | 4.520 | 7.408 |
| C1 | 0.375 | 1.372 |
| C2 | 1.125 | 1.372 |
| C3 | 1.563 | 1.685 |
| C4 | 1.563 | 3.935 |
| C5 | 1.125 | 4.247 |
| C6 | 0.375 | 4.247 |

BASE PLATE
 QTY. 1
 MATERIAL: ALUMINUM 6061

TOP VIEW

BASE PLATE

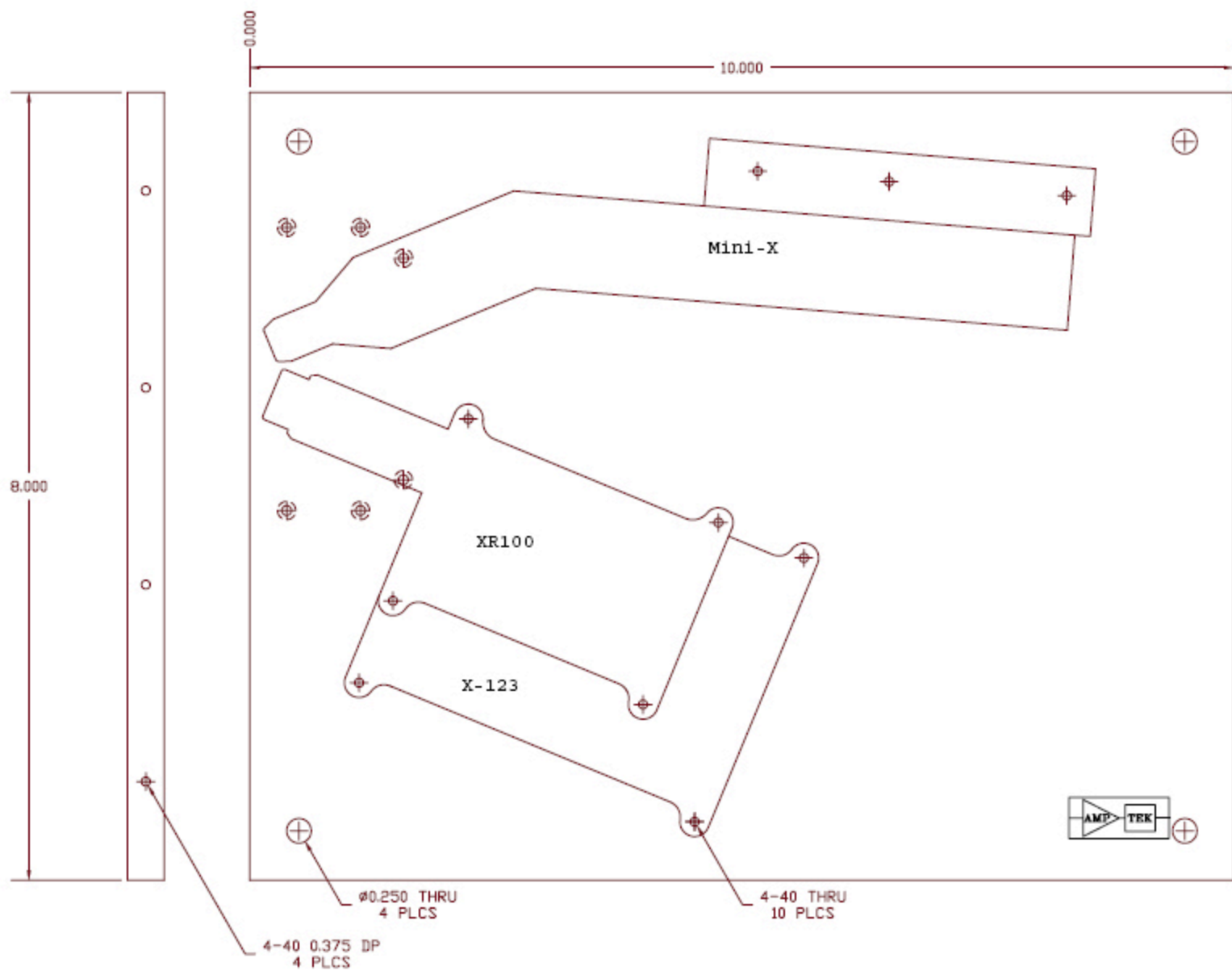
Ø0.250 THRU
 4 PLCS

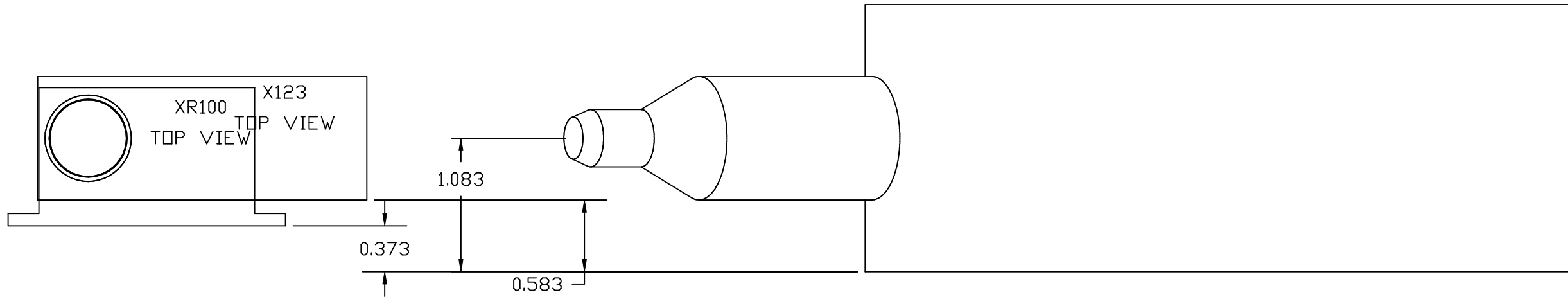
4-40 0.375 DP
 2 PLCS

4-40 THRU
 10 PLCS

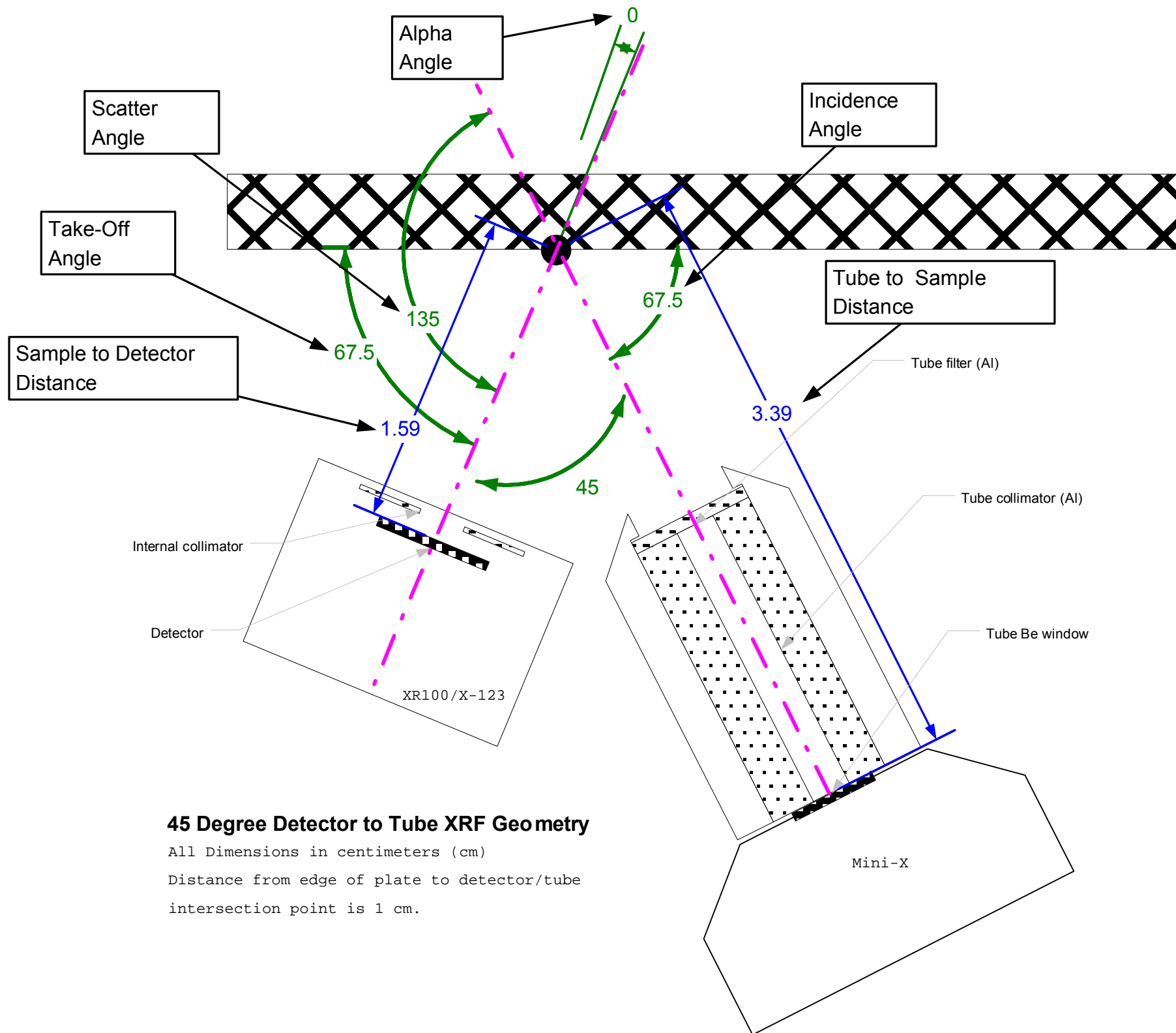
Ø0.100 THRU
 6 PLCS
 BOTTOM SIDE: Ø0.185 82° CHMFR

XR100
 TOP VIEW





All dimensions in inches from the top of the plate.



45 Degree Detector to Tube XRF Geometry

All Dimensions in centimeters (cm)

Distance from edge of plate to detector/tube intersection point is 1 cm.